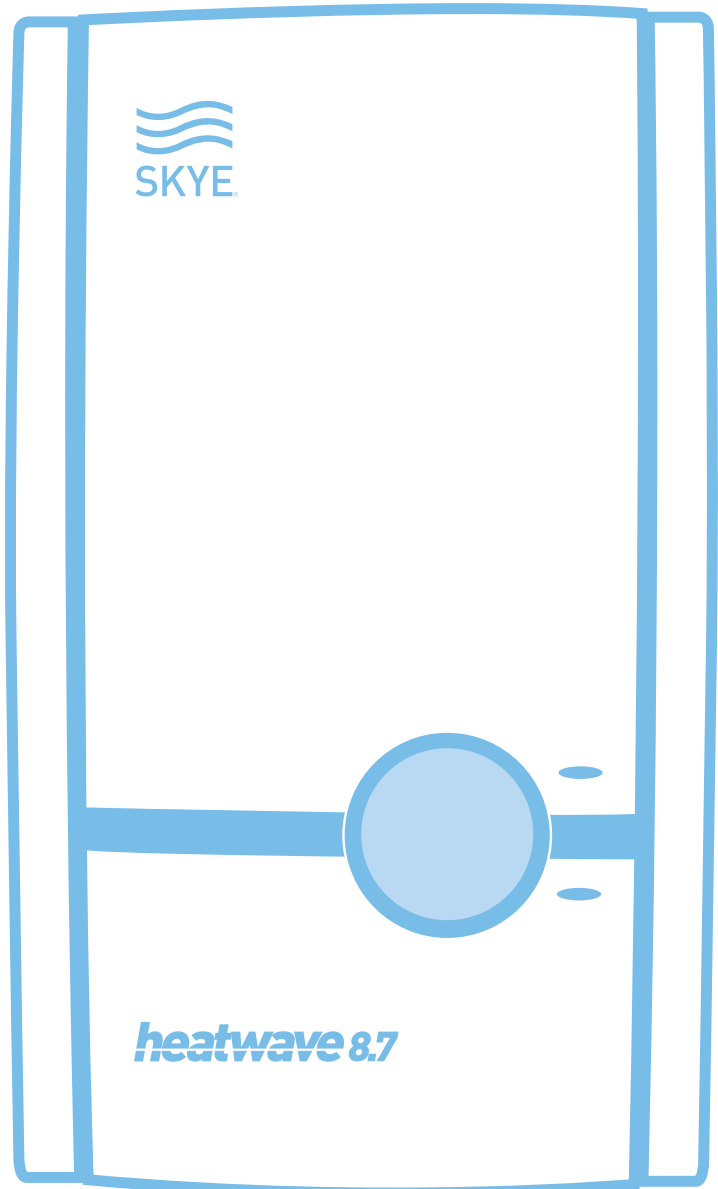




# heatwave 8.7

- Tankless **Electric**, Point of Use
- Cold to hot in three seconds
- Green Building Appliance
- 99% efficient
- Hot Water, Endlessly
- State-of-the-art safety features
- Compact design (16" x 9.5" x 3.25")
- ClearQ<sup>®</sup> Heating Chamber  
easily inspect heating chamber
- Ten Power Settings
- 220V-240V, Minimum 40 AMP  
breaker & #8 AWG recommended
- Hot water for one shower  
in any climate
- Save thousands of water per year  
when installed close to fixture
- Optional Shower attachment  
available
- ETL certified



# heatwave 8.7

## SPECIFICATIONS

**Maximum Current Load:** 36 amps max at 240 VAC

**KW Operational Range:** 0.87 KW to 8.7 KW

**Voltage:** 240 VAC (suitable for 208 VAC at reduced output)

**Cycles:** 50-60 HZ

**Efficiency:** 99%

**Recommended Breaker Size 2005 N.E.C.:** 40 Amp

**Minimum Wire Size\*:** #8 AWG Copper

**Minimum activation flow rate:** 0.5 GPM

**Water Line/Outlet Size:** 1/2" MNPT

**Weight, Dry:** 10 lbs.

**Water Capacity:** 0.4 Gallons

**Height, Width, Depth:** 16" x 9.5" x 3.25"

**Housing:** Plastic

**Heating Chamber:** Quartz

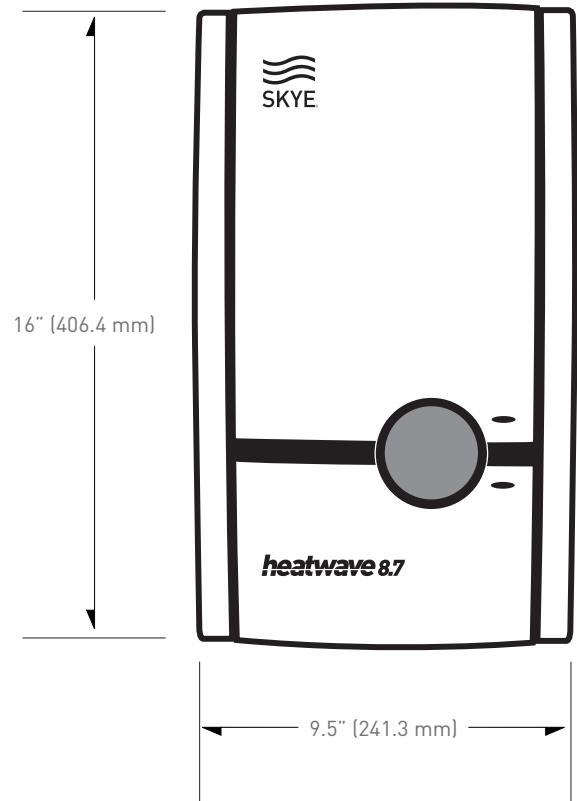
**Elements:** Ten (10) thin film quartz elements, 870 Watts each

**Safety Features:** Hi-Limit Thermal Shutoff, Water & Electricity Linkage Switch, Residual Current Operated Protection

**Temperature Settings:** 10 Temperature Settings, Low to High

**Noise Level:** less than 2 dB at Maximum Output

**Standard Consumer Warranty:** 5 year replacement



**Flow rate at 77 °F temperature rise:** 0.75 GPM

**Flow rate at 40 °F temperature rise:** 1.48 GPM

**Gallons per hour at 77 °F temperature rise:**  
46 Gallons Per Hour

**Gallons per hour at 40 °F temperature:**  
88.8 Gallons Per Hour



Better choices for everyday living.

SKYE International Inc.

7701 E. Gray Rd., Ste. 104

Scottsdale, AZ 85260

T 480 993 2300 F 480 951 6809

Heatwave is not suitable for outdoor installation  
\*check with local codes

